

Current Sensors



CT15/30/60



CT 100/200/400/600

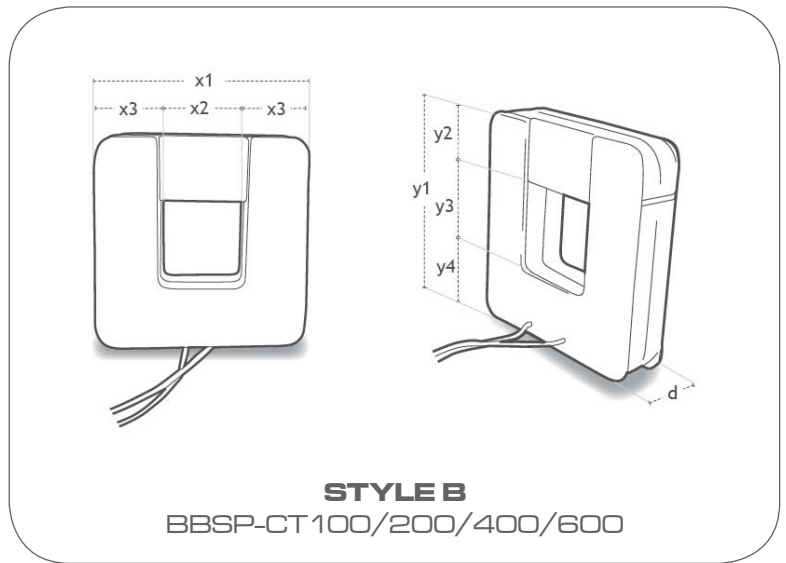
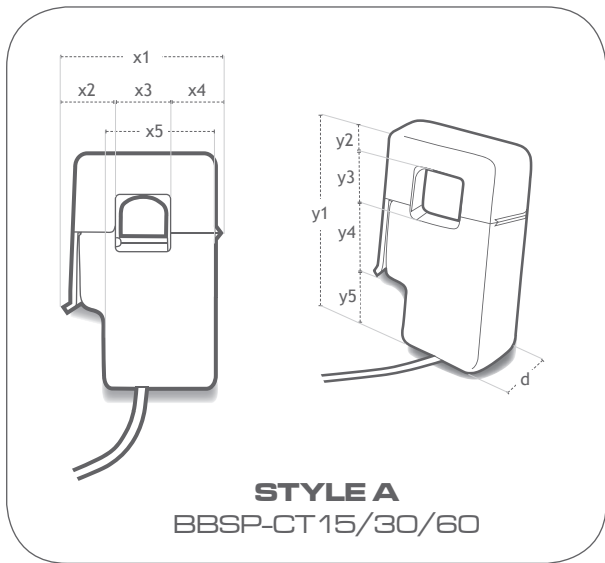


- High Accuracy - 1% nominal
- For measurement of current in a wide variety of situations
- Split core design means you do not need to disconnect power source
- Available in a range of sizes to accommodate readings up to 600A
- Combine 3 clamps together for readings of up to 1800A
- Voltage independent

The BBSP-CT range of clamps are designed for the measurement of current in mains cables in home, office or industrial environments. They are ideally suited to general use for installation on incoming mains feeds, fitted in distribution boards or on larger industrial equipment.

To fit the sensors, simply open them and then clip the sensor around the wire you wish to measure. There is no need to disconnect the wire you wish to monitor to fit these sensors meaning that installation time is greatly reduced.

The sensors are tuned and calibrated to work with the Enistic Energy Management suite of products.



item	CT15	CT30	CT60	CT100	CT200	CT400	CT600	Unit
	<i>Style A</i>			<i>Style B</i>				
X1	36			50.5	82	120		mm
X2	13			18.5	32	51		mm
X3	12.5			16	25	34		mm
X4	10.5			-	-	-		mm
y1	57			53	85.5	127		mm
y2	10.5			16	25	36		mm
y3	13			18	32.5	53		mm
y4	16			19	28	38		mm
y5	17.5			-	-	-		mm
d	21			18	26	30		mm
Weight	75g			100g	325g	650g		gram
Cable length	1500			1000				mm
Nominal Current	15	32	60	100	200	400	600	A
Min. Current	0	0	0	0	0	0	0	A
Min. Current 1%*	.75	1.6	3	5	10	20	30	A
Max. Current 1%*	14.25	30.4	57	95	190	380	570	A
Max. Current	16.5	35.2	66	110	220	440	660	A
Nominal 3 Phase Current	45	96	180	300	600	1200	1800	A

* Min 1% and max 1% readings indicate the minimum and maximum currents that are guaranteed to give a 1% accurate reading. Currents above or below this figure (but below the absolute maximum rating) will still give readings but the accuracy is not guaranteed to be less than 1%.

NB If the sensors are used to measure current above the maximum rating then operation and accuracy are not guaranteed.

Information subject to change without notice. E & EO.

For further information and ordering please contact Enistic Limited.

Registered offices: 10 Wornal Park, Menmarsh Road, Worningham, Bucks, HP18 9PH, UK

Tel: +44 (0) 844 875 1600 Email: info@Enistic.com

Company Number: 0690 8381 VAT Registration number: 974 6803 78

www.Enistic.com